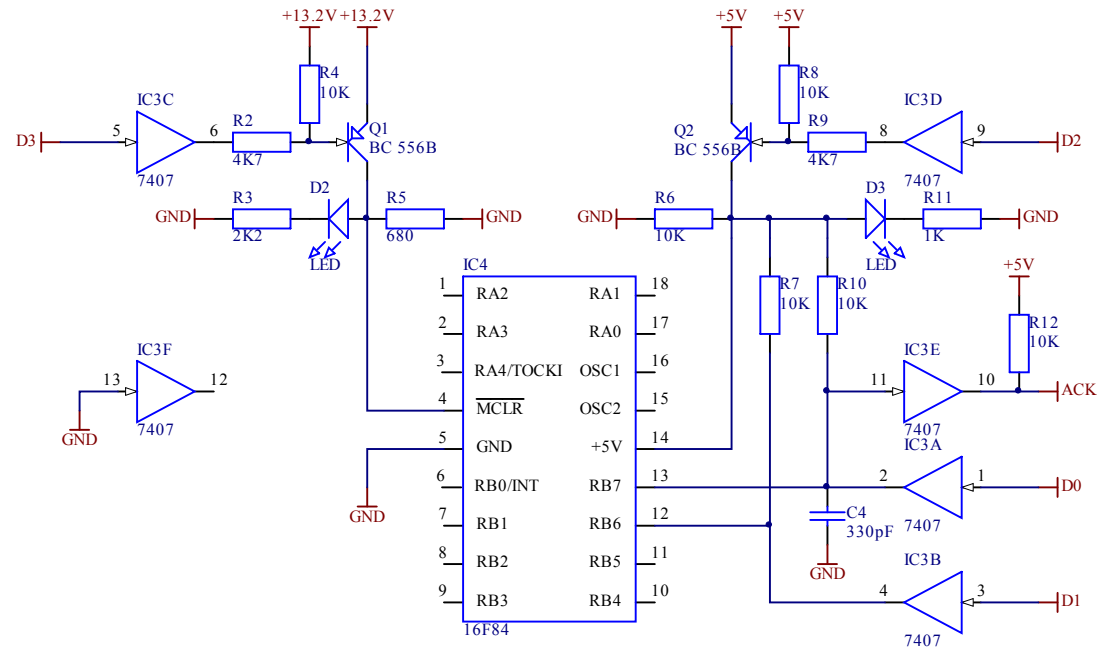
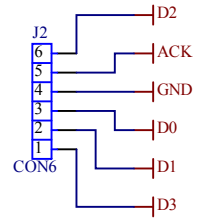


DB25	CON
4	6- D2
10	5- ACK
18-25	4- GND
2	3- D0
3	2- D1
5	1- D3



PROGRAMATOR 16F84
WINPICPROG

Bill of Materials

<Parameter Title not found>

Source Data From: WinPicProg.PRJPCB
Project: WinPicProg.PRJPCB
Variant: None

Creation Date: 17.9.2008 19:50:00
Print Date: 39708 39708,82646

Footprint	Comment	LibRef	Designator	Description	Quantity
ELKO2/3	470uF	ELKO	C1	Electrolytic Capacitor	1
RADIAL2	100nF	CAP	C2, C3	Capacitor	2
RADIAL2	330pF	CAP	C4	Capacitor	1
LED	LED	LED	D1, D2, D3	LED dioda	3
DIODE3	1N4148	DIODE	D4, D5	Diode	2
GRETZ1A	W02	GRETZ	GR1	Diode Bridge	1
78LXX	78L05	STABPOZ	IC1	Stabilizator napona	1
78LXX	78L12	STABPOZ	IC2	Stabilizator napona	1
DIP14	7407	7407	IC3	6 X Driver open colector	1
TEXTTOOL	16F84	16F84	IC4	Microcontroler	1
CON3	CON3	CON3	J1	Connector	1
CON6	CON6	CON6	J2	Connector	1
TO546	BC 556B	PNP	Q1, Q2	PNP Transistor	2
AXIAL4	4K7	RES	R1, R2, R9	Otpornik	3
AXIAL4	2K2	RES	R3	Otpornik	1
AXIAL4	10K	RES	R4, R6, R7, R8, R10, R12	Otpornik	6
AXIAL4	680	RES	R5	Otpornik	1
AXIAL4	1K	RES	R11	Otpornik	1
TRF_EI382	230/15	TRANS1X	T1	Transformator 220/15	1
					31

Approved	Notes

