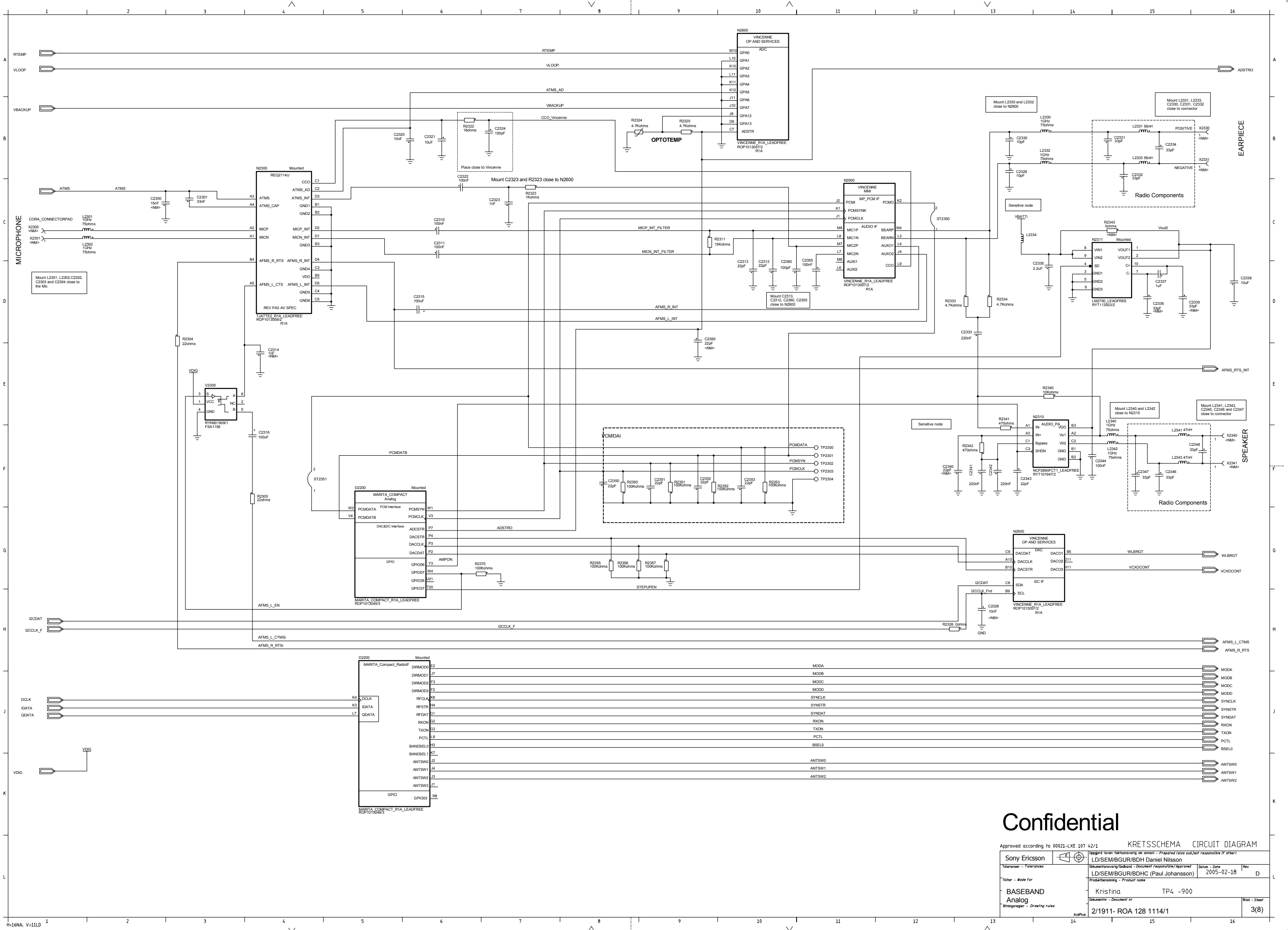


Confidential

Approved according to 00021-LXE 107 42/1

Sony Ericsson		Uppgörd (även faktaansvarig om annan) - Prepared (also subject responsible if other)	
Toleranser - Tolerances		Dokumentansvarig/Godkänd - Document responsible/Approved	
Tillhör - Made for		Datum - Date	
BASEBAND		LD/SEM/BGUR/BDHC (Paul Johansson) 2005-02-18	
uP & Memory (Marita_C)		Rev D	
Ritningsregler - Drawing rules		Produktbenämning - Product name	
AcePlus		Kristina TP4 - 900	
2/1911-ROA 128 1114/1		Blad - Sheet	
2(8)		2(8)	

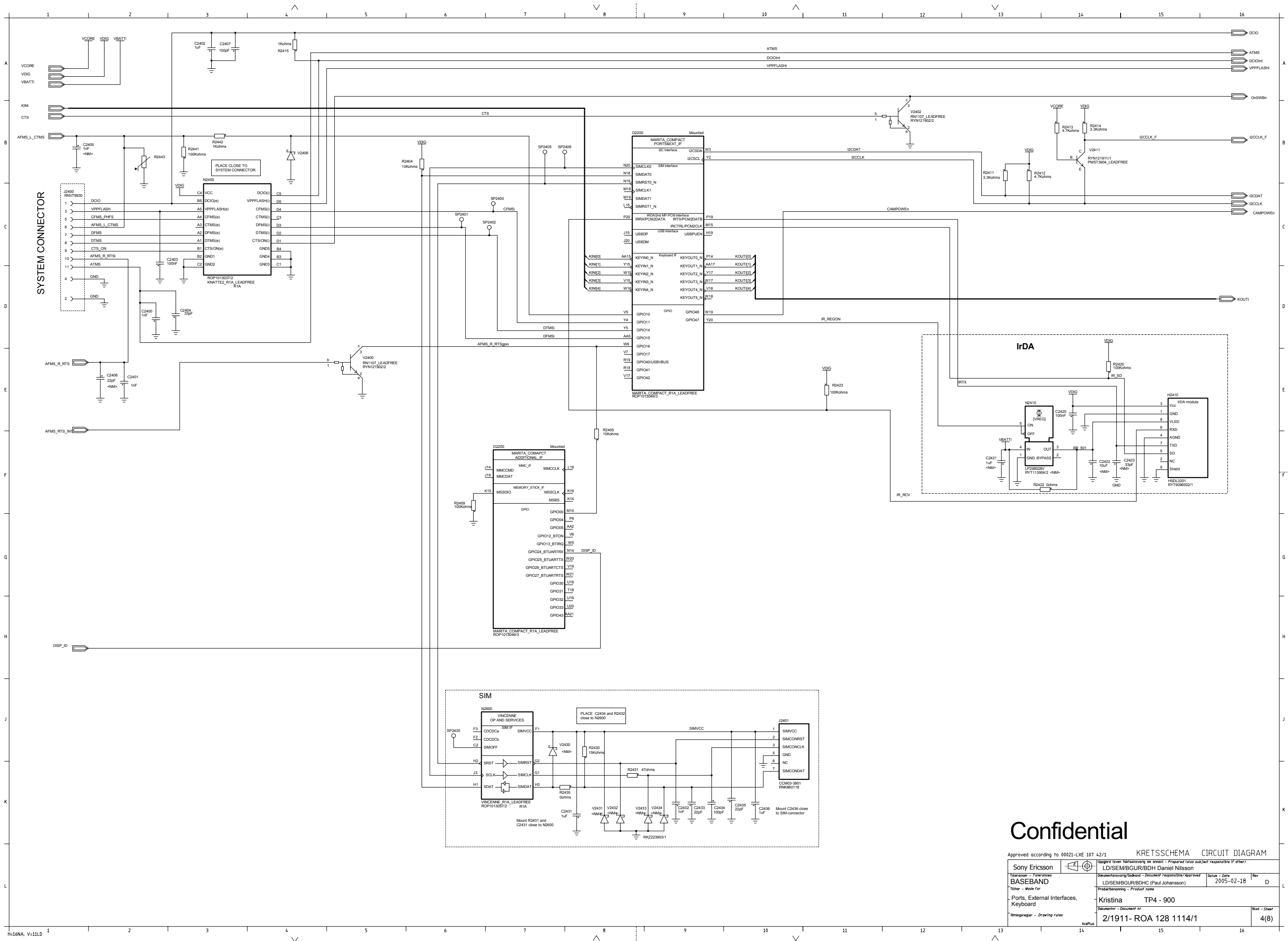
LZF 030 102/F RB



Confidential

Approved according to 00021-LXE 107 42/1		KRETTSCHEMA CIRCUIT DIAGRAM	
Sony Ericsson		Liggett level faktansvarig on aman - Prepared (also subject responsible if other)	
Toleranser - Tolerances		LD/SEM/BGUR/BDH Daniel Nilsson	
Tillhor - Made for		LD/SEM/BGUR/BGUR (Paul Johansson)	
BASEBAND Analog		Produktbenämning - Product name	
Kristina TP4 -900		Datum - Date	
2/1911- ROA 128 1144/1		2005-02-18	
Blad - Sheet		Rev	
3(B)		D	

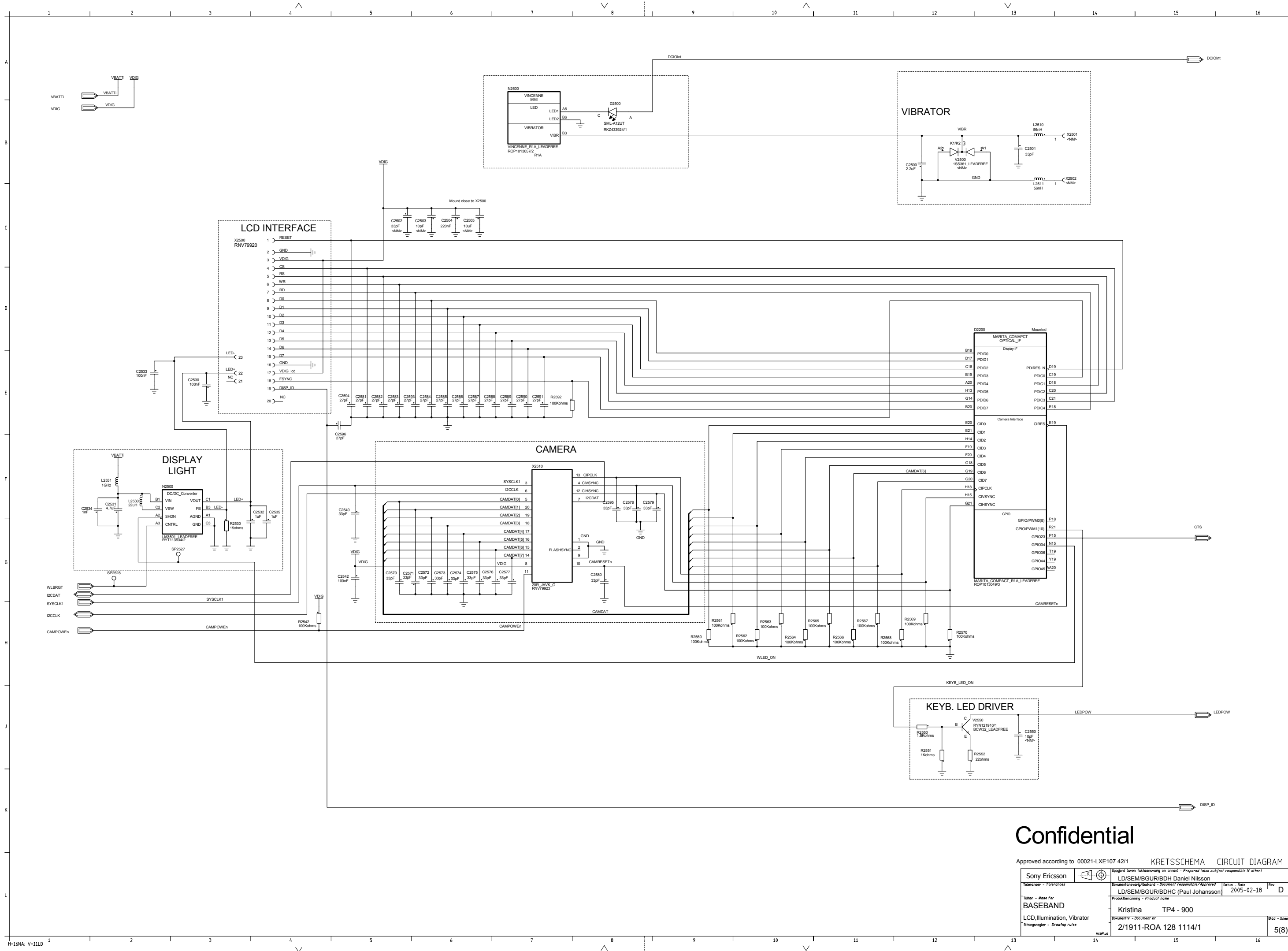
LZF 030 101/F RB1



Confidential

Approved according to 00021-LXE 107 42/1		KRETSSCHEMA CIRCUIT DIAGRAM	
Sony Ericsson		LD/SEM/BGUR/BDH Daniel Nilsson	
Tolerances - Tolerances		LD/SEM/BGUR/BDH (Paul Johansson)	
BASEBAND		2005-02-18	
Ports, External Interfaces, Keyboard		Kristina TP4 - 900	
2/1911- ROA 128 1114/1		4(8)	

LZF 030 101/F RB1

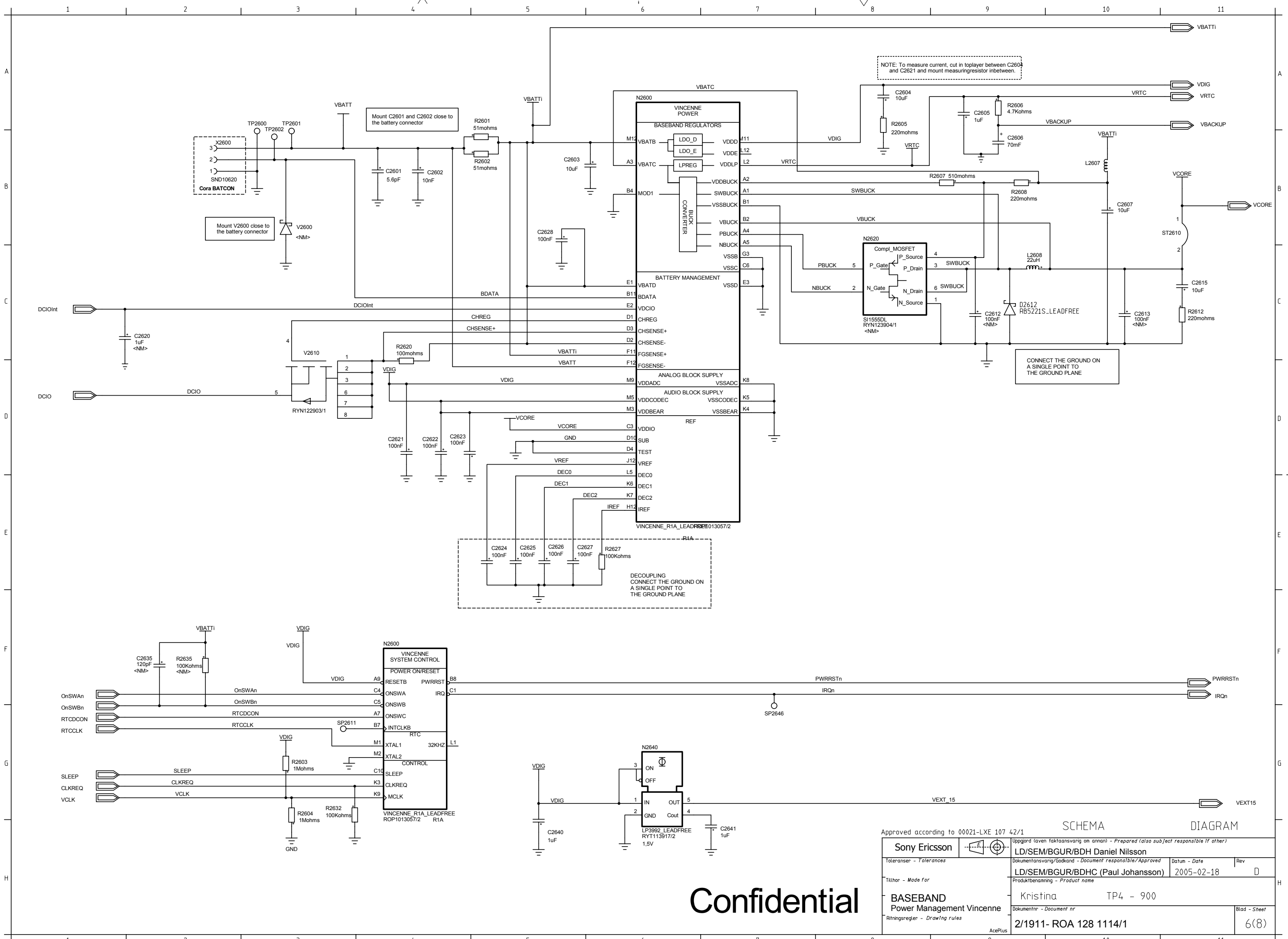


Confidential

Approved according to 00021-LXE107 42/1 KRETSSHEMA CIRCUIT DIAGRAM

Sony Ericsson		Uppgård levén faktansvarig om annan - Prepared (also subject responsible if other)	
LD/SEM/BGUR/BDH Daniel Nilsson		Dokumentansvarig/Godkänd - Document responsible/Approved	
LD/SEM/BGUR/BDHC (Paul Johansson)		Datum - Date 2005-02-18	
Titel - Made for BASEBAND		Produktbenämning - Product name Kristina TP4 - 900	
LCD Illumination, Vibrator		Dokumentnr - Document nr 2/1911-ROA 128 1114/1	
Riteggring - Drawing rules		Blad - Sheet 5(8)	

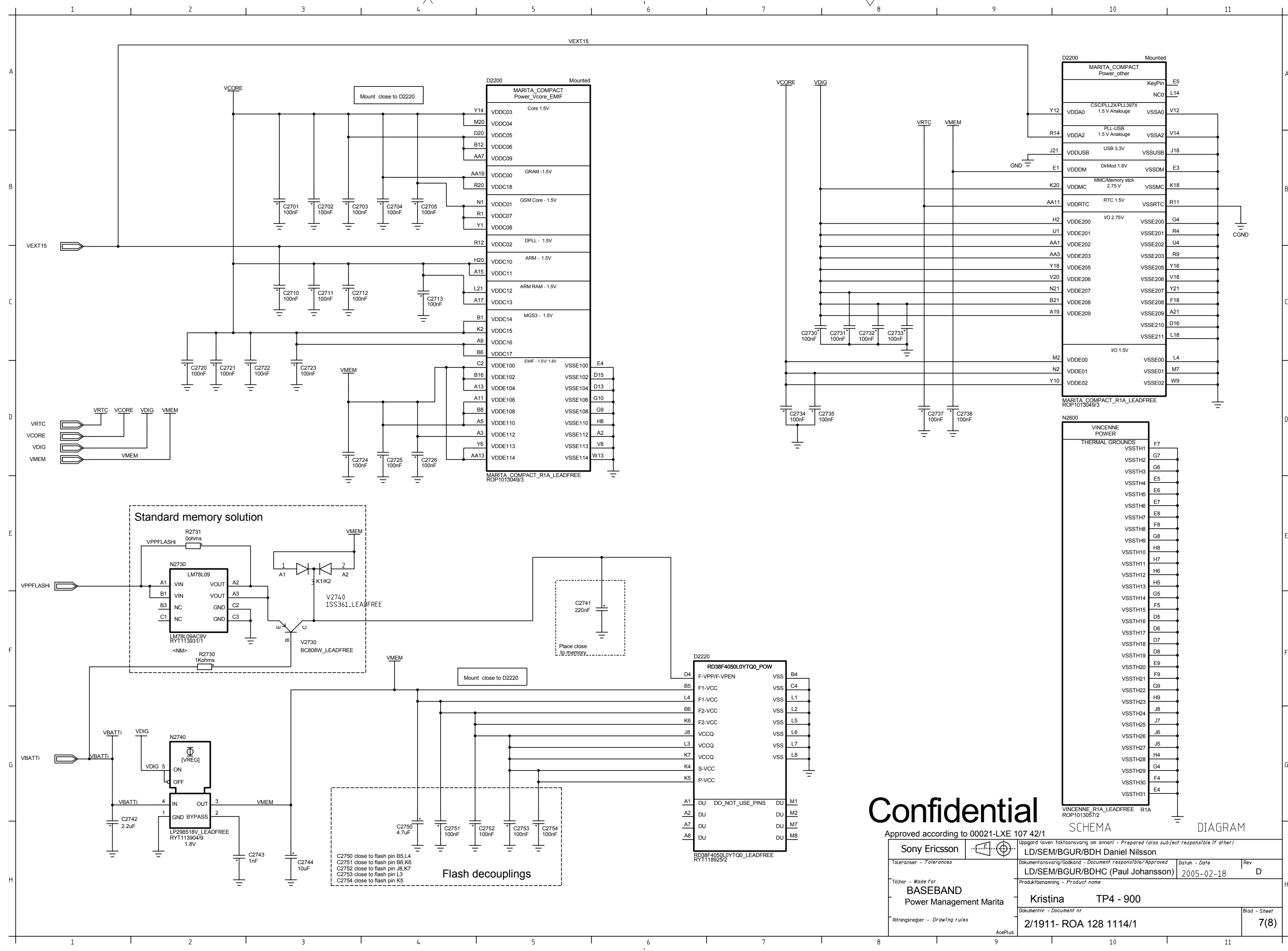
LZF 030 101/F RB1



Confidential

Approved according to 00021-LXE 107 42/1		SCHEMA		DIAGRAM	
Sony Ericsson	Uppgjord (även faktaansvarig om annan) - Prepared (also subject responsible if other)	LD/SEM/BGUR/BDH Daniel Nilsson	Dokumentansvarig/Godkänd - Document responsible/Approved	Datum - Date	Rev
Toleranser - Tolerances		LD/SEM/BGUR/BDHC (Paul Johansson)	Produktbenämning - Product name	2005-02-18	D
Tillhör - Made for		Kristina		TP4 - 900	
Basband Power Management Vincenne		Dokumentnr - Document nr			Blad - Sheet
Ritningsregler - Drawing rules		2/1911- ROA 128 1114/1			6(8)

LZF 030 102/F RB

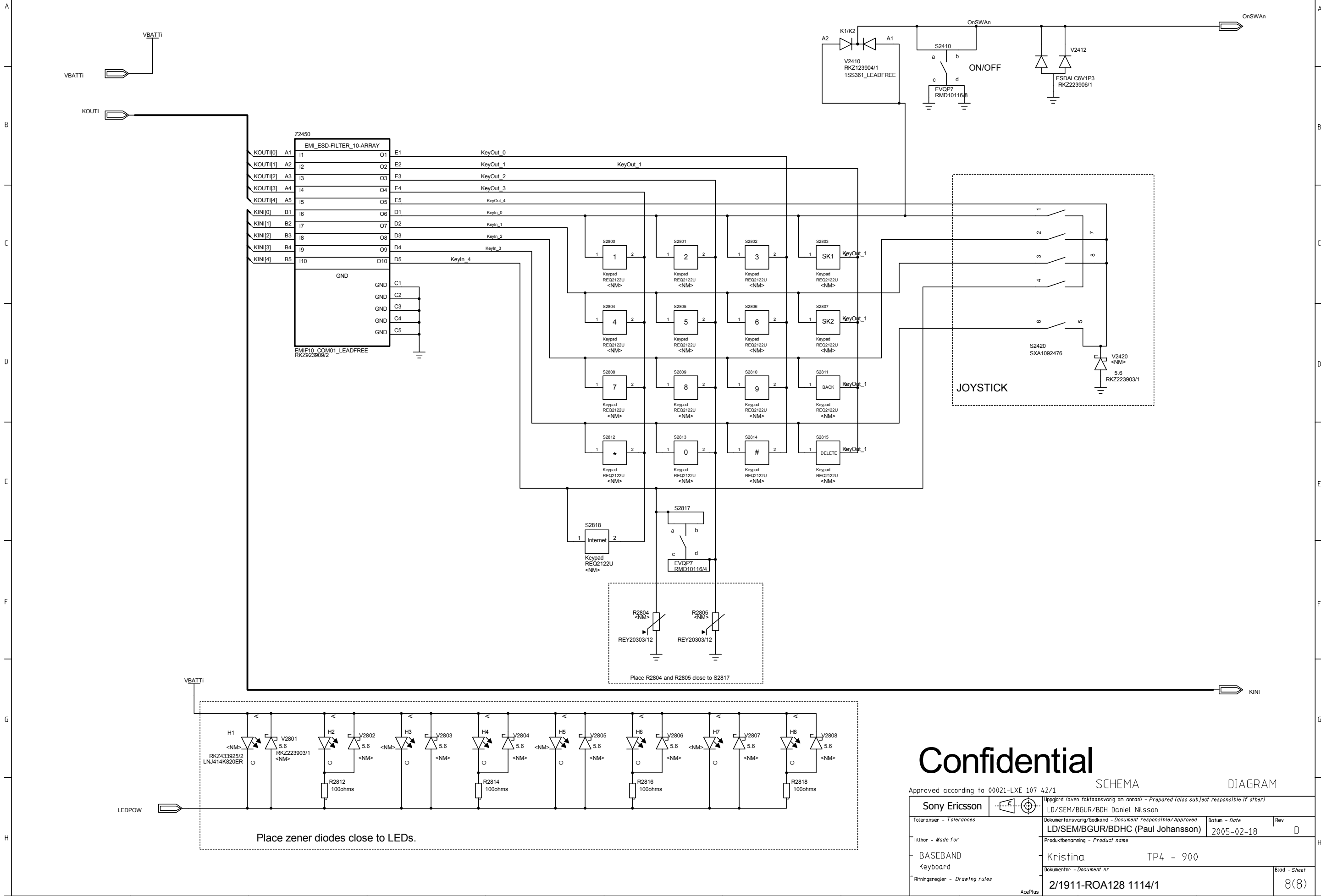


Confidential

Approved according to 00021-LXE 107 42/1

Sony Ericsson		Uppgörd (även faktaansvarig om annan) - Prepared (also subject responsible if other)	
Toleranser - Tolerances		Dokumentansvarig/Sodkand - Document responsible/Approved	
Tillhör - Made for BASEBAND Power Management Marita		Produktbenämning - Product name Kristina TP4 - 900	
Ritningsregler - Drawing rules		Datum - Date 2005-02-18	
AcePlus		Dokumentnr - Document nr 2/1911- ROA 128 1114/1	
		Rev D	
		Blad - Sheet 7(8)	

LZF 030 102/F RB



Confidential

SCHEMA DIAGRAM

Approved according to 00021-LXE 107 42/1

Sony Ericsson		Uppgjord (även faktaansvarig om annan) - Prepared (also subject responsible if other) LD/SEM/BGUR/BDH Daniel Nilsson	
Toleranser - Tolerances Tillhör - Made for BASEBAND Keyboard Ritningsregler - Drawing rules	Dokumentansvarig/Sodkand - Document responsible/Approved LD/SEM/BGUR/BDHC (Paul Johansson)	Datum - Date 2005-02-18	Rev D
Produktbenämning - Product name Kristina TP4 - 900		Blad - Sheet 2/1911-ROA128 1114/1 8(8)	