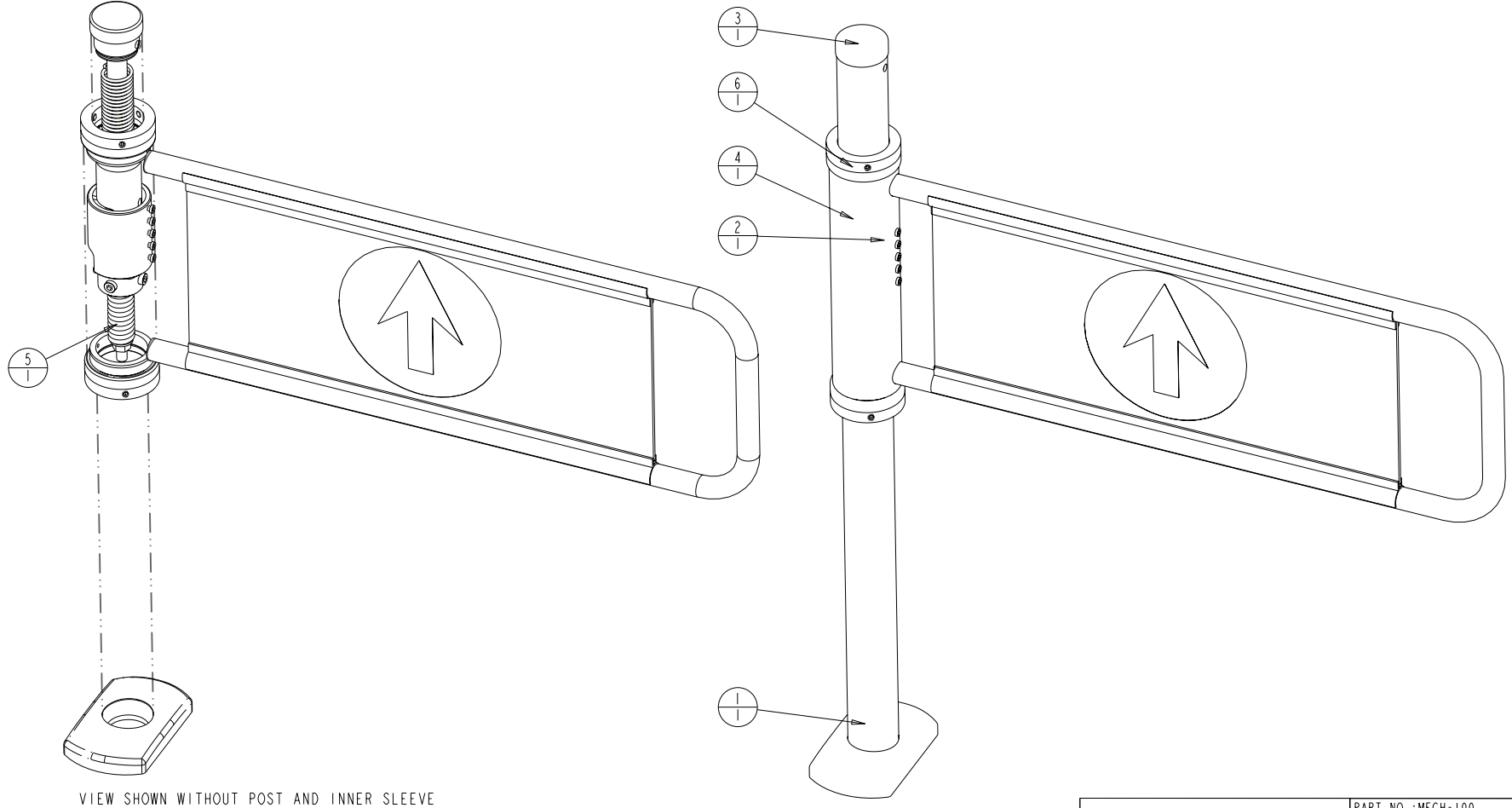


This Document Contains Proprietary Information and is the property of TURNSTILE SECURITY SYSTEMS INC., and shall not be reproduced, copied, or used as a basis for the manufacture of equipment without written permission.

PARTS LIST

ITEM	PART NO.	DESCRIPTION	MODEL NAME	RAW MATERIAL SIZE	VENDOR INFO	QTY
1	MECH-200	POST ASSY	MECHANICAL-GATE-POST	SEE PART DRAWINGS		1
2	MECH-300	SHOCK ASSY	MECHANICAL-GATE-SHOCK	SEE PART DRG		1
3	MECH-400	TOP CAP ASSY	MECHANICAL-GATE-TOP-CAP	SEE PART DRG		1
4	MECH-500	SWING ARM ASSY	MECHANICAL-GATE-SWING-ARM	SEE PART DRG		1
5	MECH-600	MECHANISM	MECHANICAL-GATE-MECHANISM	SEE PART DRG		1
6	MECH-700	TORQUE SPRING	MECHANICAL-GATE-TORQUE-SPRING	WIRE DIA 0.14		1

REVISIONS				
ZONE	REV	DESCRIPTION	DATE	ECN
	01	INITIAL RELEASE	--/03	DG



VIEW SHOWN WITHOUT POST AND INNER SLEEVE

STANDARD TOLERANCES UNLESS SPECIFIED	DRAWN GADP	DATE 15-Oct-03
x.x ±0.020	CHECKED GUENTER	DATE
x.xx ±0.010	APPROVED PERRY	DATE
x.xxx ±0.005	ALL DIMENSIONS SHOWN IN INCHES	
HOLES ±0.003		
ANGLES ±1/2°		

TURNSTILE SECURITY SYSTEMS INC 245, Matheson Blvd. E. Mississauga, Ontario, L4Z 3C9 CANADA TEL: (905) 890-2222 FAX: (905) 890-3786		PART NO.: MECH-100	
		CAD FILE: MECHANICAL-GATE-MAIN-ASSY.DRW	
		MODEL TYPE: MECHANICAL	
		TITLE: MECHANICAL GATE MAIN ASSY	
		PART/ASSY NAME: MECHANICAL-GATE-MAIN-ASSY	
		SIZE: A2	REV: 0
		MATERIAL: SEE PART DRG	SHEET 1 OF 4
		SCALE: 0.300	